

SHARP ND-AH330H | 330 W

The project solution
330 W / 1,500 V

Polycrystalline silicon photovoltaic modules



12 GW installed worldwide

Make Sharp's pioneering solar modules the only choice for your project.

72
cells



55 years of solar expertise



Guaranteed positive power tolerance (0/+5%)



Up to 17% module efficiency
5-busbar cells for higher efficiencies



Proven Quality

TÜV (IEC/EN 61215, IEC/EN61730)
Safety class II / CE
Application class A
Fire rating class C



Polycrystalline silicon photovoltaic modules

10
YEARS

Product guarantee

25
YEARS

Linear power output guarantee



1,500 system voltage

Electrical data (STC)

ND-AH330H

| | | | |
|-----------------------------------|-----------|------|-------|
| Maximum power | P_{max} | 330 | W_p |
| Open-circuit voltage | V_{oc} | 46.2 | V |
| Short-circuit current | I_{sc} | 9.33 | A |
| Voltage at point of maximum power | V_{mpp} | 37.8 | V |
| Current at point of maximum power | I_{mpp} | 8.73 | A |
| Module efficiency | η_m | 17.0 | % |

STC = Standard Test Conditions: irradiance 1,000 W/m², AM 1.5, cell temperature 25 °C.
 Rated electrical characteristics are within ±10 % of the indicated values of I_{sc}, V_{oc} and 0 to +5 % of P_{max} (power measurement tolerance ±3 %).

Electrical data (NOCT)

ND-AH330H

| | | | |
|-----------------------------------|-----------|--------|-------|
| Maximum power | P_{max} | 243.94 | W_p |
| Open-circuit voltage | V_{oc} | 42.7 | V |
| Short-circuit current | I_{sc} | 7.54 | A |
| Voltage at point of maximum power | V_{mpp} | 34.7 | V |
| Current at point of maximum power | I_{mpp} | 7.03 | A |

Module operating temperature at 800 W/m² irradiance, air temperature of 20 °C, wind speed of 1 m/s. NOCT = 45°C.

Mechanical data

| | |
|--------|----------|
| Length | 1,956 mm |
| Width | 992 mm |
| Depth | 35 mm |
| Weight | 22.2 kg |

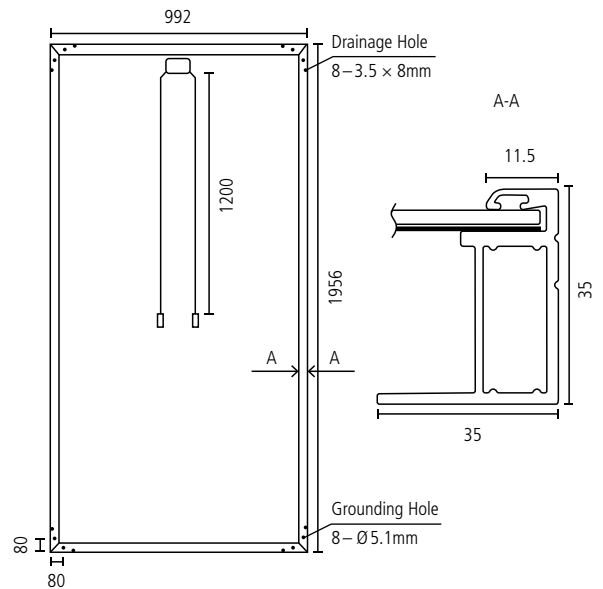
Temperature coefficient

| | |
|-----------|------------|
| P_{max} | -0.41 %/°C |
| V_{oc} | -0.32 %/°C |
| I_{sc} | 0.055 %/°C |

Limit values

| | |
|-------------------------------------|---------------|
| Maximum system voltage | 1,500 VDC |
| Over-current protection | 15 A |
| Temperature range | -40 to +85° C |
| Max. mechanical load (snow / wind)* | 2,400 Pa |

Dimensions (mm)



*Please refer to Sharp's installation manual for details.

General data

| | |
|----------------|--|
| Cells | polycrystalline, 156.75 mm x 156.75 mm, 72 cells in series |
| Front glass | low iron tempered glass, 3.2 mm |
| Frame | anodized aluminium alloy, silver |
| Connection box | IP68, 3 bypass diodes |
| Cable | 4.0 mm ² , length 1,200 mm |
| Connector | PV-XT101.1, SUZHOU XTONG PHOTOVOLTAIC TECHNOLOGY Co. Ltd |

Packaging data

| | |
|-------------------------|--------------------------|
| Modules per pallet | 30 pcs |
| Pallet size (L x W x H) | 1,995 x 1,150 x 1,123 mm |
| Pallet weight | 740 kg |

 Empower yourself

www.sharp.eu

SHARP